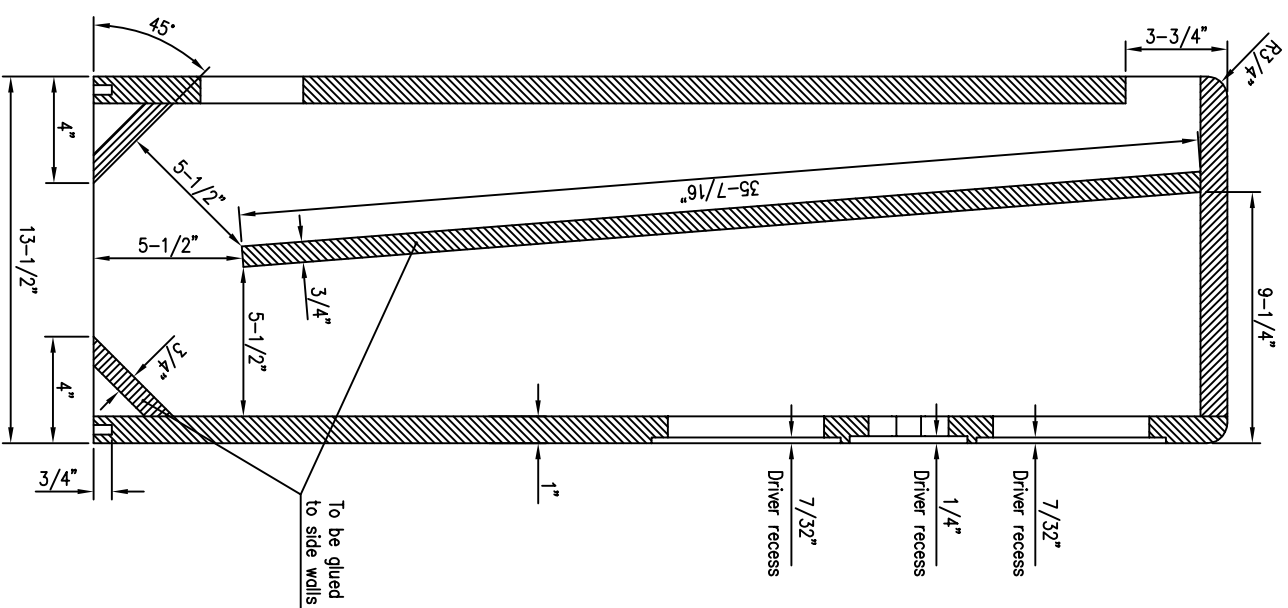
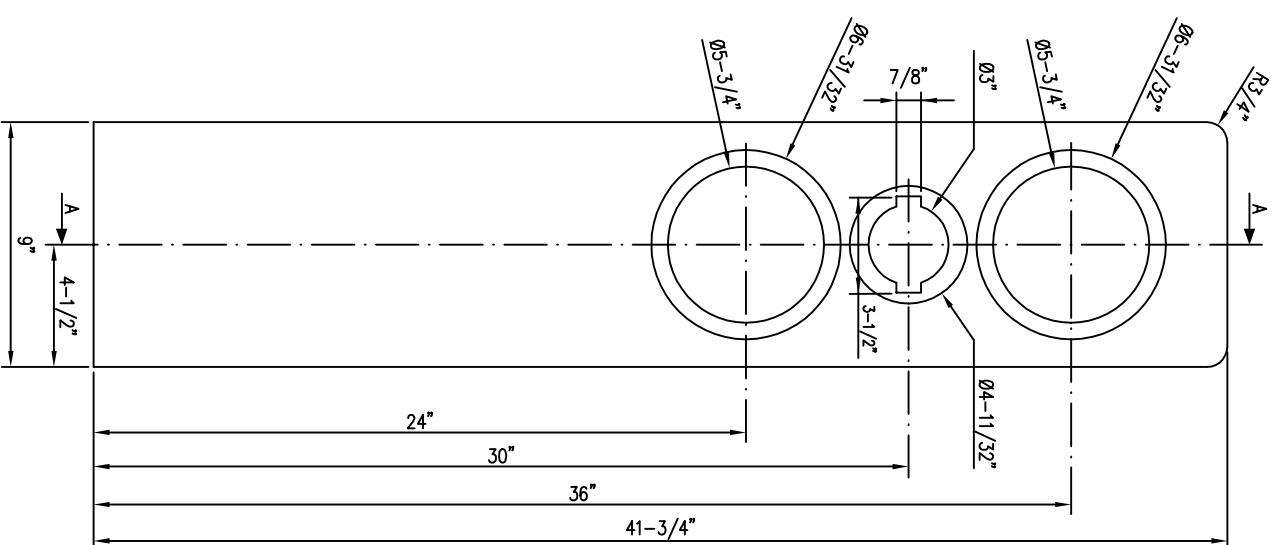
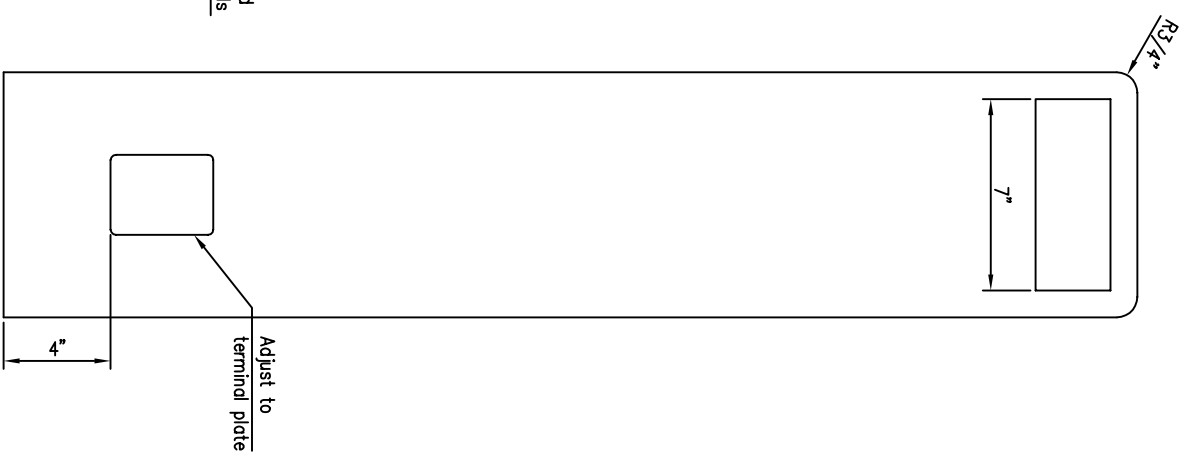


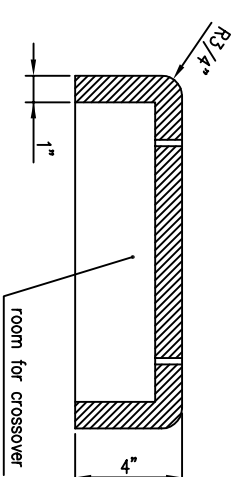
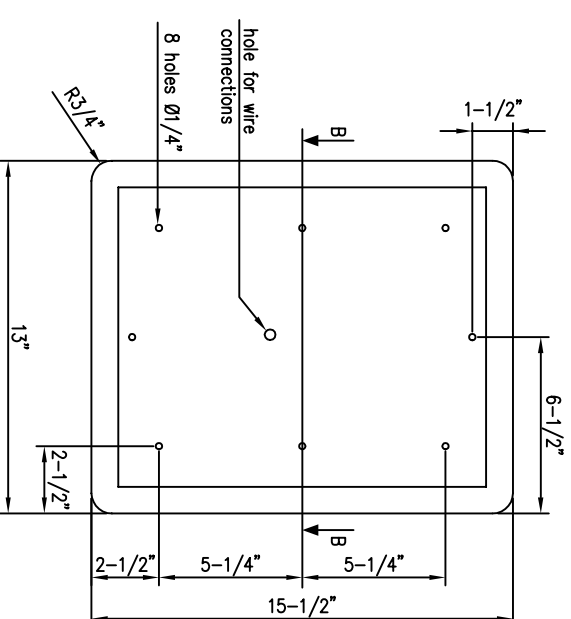
MATERIAL: 3/4" MDF – transmission walls
 1" MDF – cabinet and base
 The base must be removable to adjust filling materials.
 Use threaded inserts and machine screws to secure base.



To be glued to side walls



BASE



Ant.	Endringer	Dato	Sign.
1:5	Wristokk		
CABINET THOR		K00218	
SEALS FABRIKKER A.S.		Erstating for: K00218	
Erstatet av:			